

# ACRO BASIC



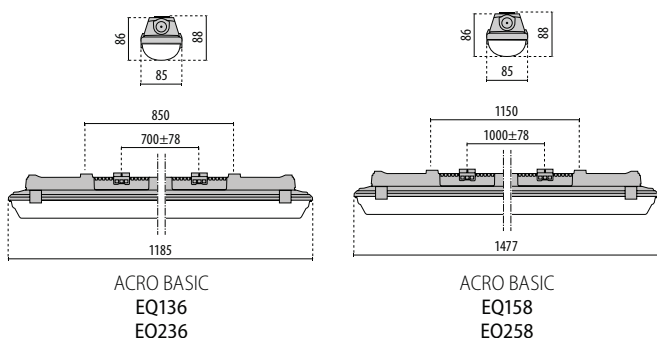
Weatherproof LED luminaire complete with diffuser, comprising:

- Housing made of fiberglass reinforced polyester
- Opal PMMA diffuser for optimal light diffusion and a high light uniformity
- Silicone gasket

- 4000 K multichip LED board
- Stainless steel retaining clips
- Quick ceiling fixing bracket (stainless steel)
- Photometric data measure according to UNI EN 13032-4 and IES LM-79-08



● GR-RAL7035 / Grey RAL7035 / Matt



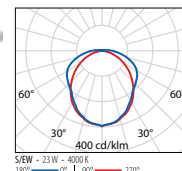
Please visit our web site [www.performanceinlighting.com](http://www.performanceinlighting.com) for the latest updated versions available.

## ACRO BASIC EQ136

IK03 0.35J xx1

WATTAGE	CLASS	CRI	KELVIN	COS $\theta$	OPTIC	OPTIC BEAM	LIGHTS SOURCE LUMEN OUTPUT	LUMINAIRE LUMEN OUTPUT	L	B	LIFETIME	COLOUR/ RAL	LENGTH	PART NUMBER
23 W	I	-	80 4000	✓	S/EW	-	-	3000 lm	70	50	54000 h	●	1185 mm	<b>3103939</b>

Power LED 220-240 V 50/60 Hz

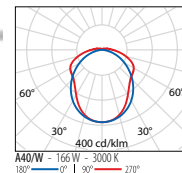


## ACRO BASIC EQ158

IK03 0.35J xx1

WATTAGE	CLASS	CRI	KELVIN	COS $\theta$	OPTIC	OPTIC BEAM	LIGHTS SOURCE LUMEN OUTPUT	LUMINAIRE LUMEN OUTPUT	L	B	LIFETIME	COLOUR/ RAL	LENGTH	PART NUMBER
29 W	I	-	80 4000	✓	S/EW	-	-	4300 lm	70	50	54000 h	●	1477 mm	<b>3103941</b>

Power LED 220-240 V 50/60 Hz

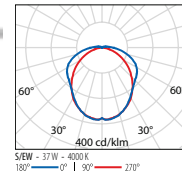


## ACRO BASIC EQ236

IK03 0.35J xx1

WATTAGE	CLASS	CRI	KELVIN	COS $\theta$	OPTIC	OPTIC BEAM	LIGHTS SOURCE LUMEN OUTPUT	LUMINAIRE LUMEN OUTPUT	L	B	LIFETIME	COLOUR/ RAL	LENGTH	PART NUMBER
37 W	I	-	80 4000	✓	S/EW	-	-	4800 lm	70	50	54000 h	●	1185 mm	<b>3103940</b>

Power LED 220-240 V 50/60 Hz



## ACRO BASIC EQ258

IK03 0.35J xx1

WATTAGE	CLASS	CRI	KELVIN	COS $\theta$	OPTIC	OPTIC BEAM	LIGHTS SOURCE LUMEN OUTPUT	LUMINAIRE LUMEN OUTPUT	L	B	LIFETIME	COLOUR/ RAL	LENGTH	PART NUMBER
50 W	I	-	80 4000	✓	S/EW	-	-	6800 lm	70	50	54000 h	●	1477 mm	<b>3103942</b>

Power LED 220-240 V 50/60 Hz

